



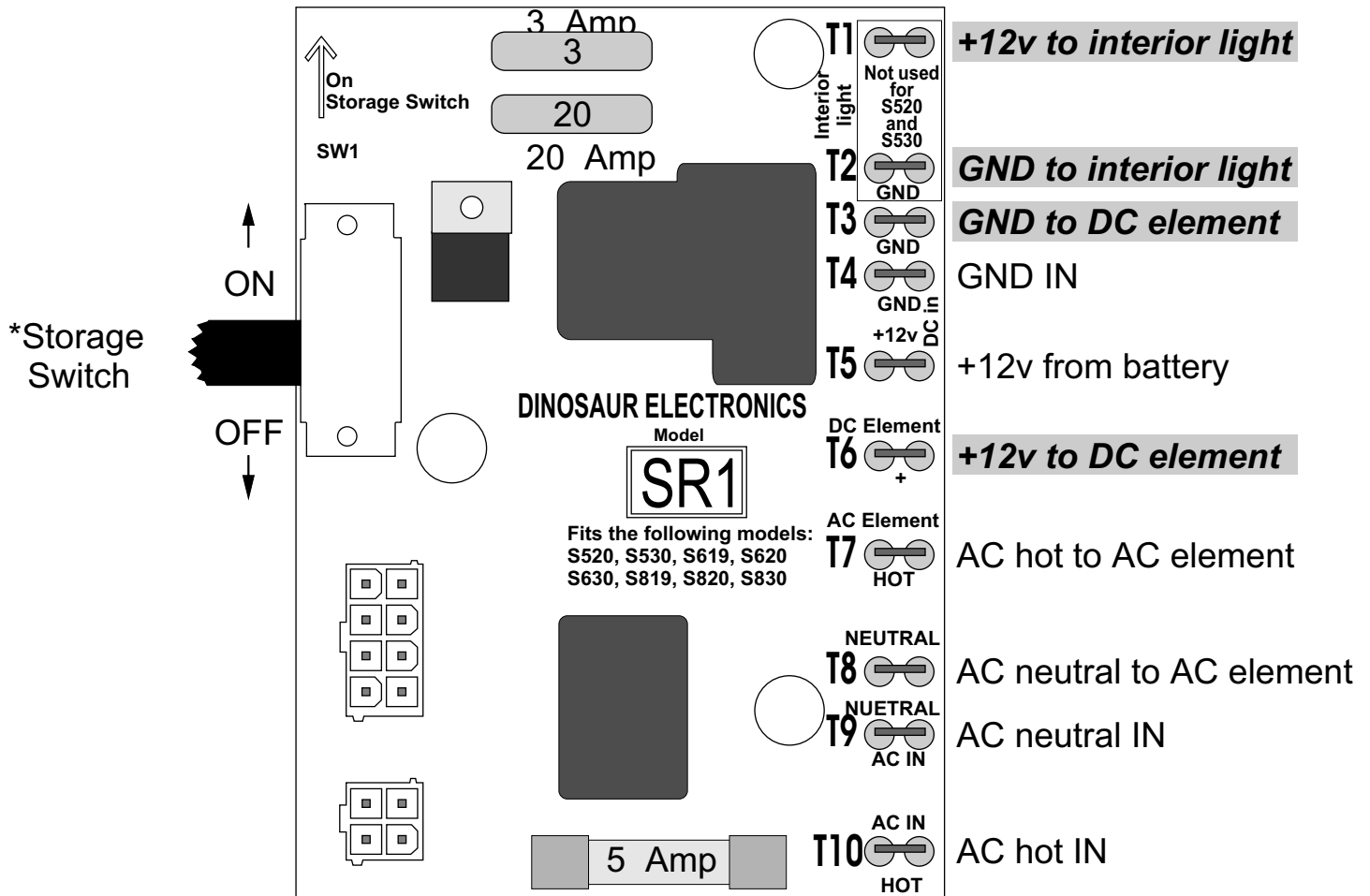
Dinosaur Electronics

PO Box 1263, 1160 SE 27th St.

Lincoln City, OR 97367

Ph. (541) 994-4344 Fax: (541) 994-2796

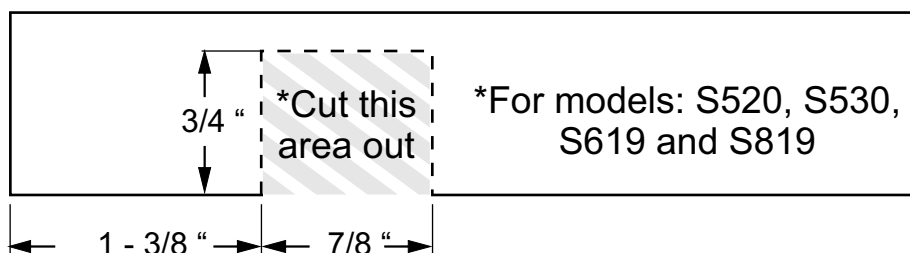
Installation Instructions for the SR1 Replacement Circuit Board for Dometic/Servel Refrigerators



Note: Pinout listings in ***Bold/Italics*** are not used in all models.

***You will need to keep the original cover!**

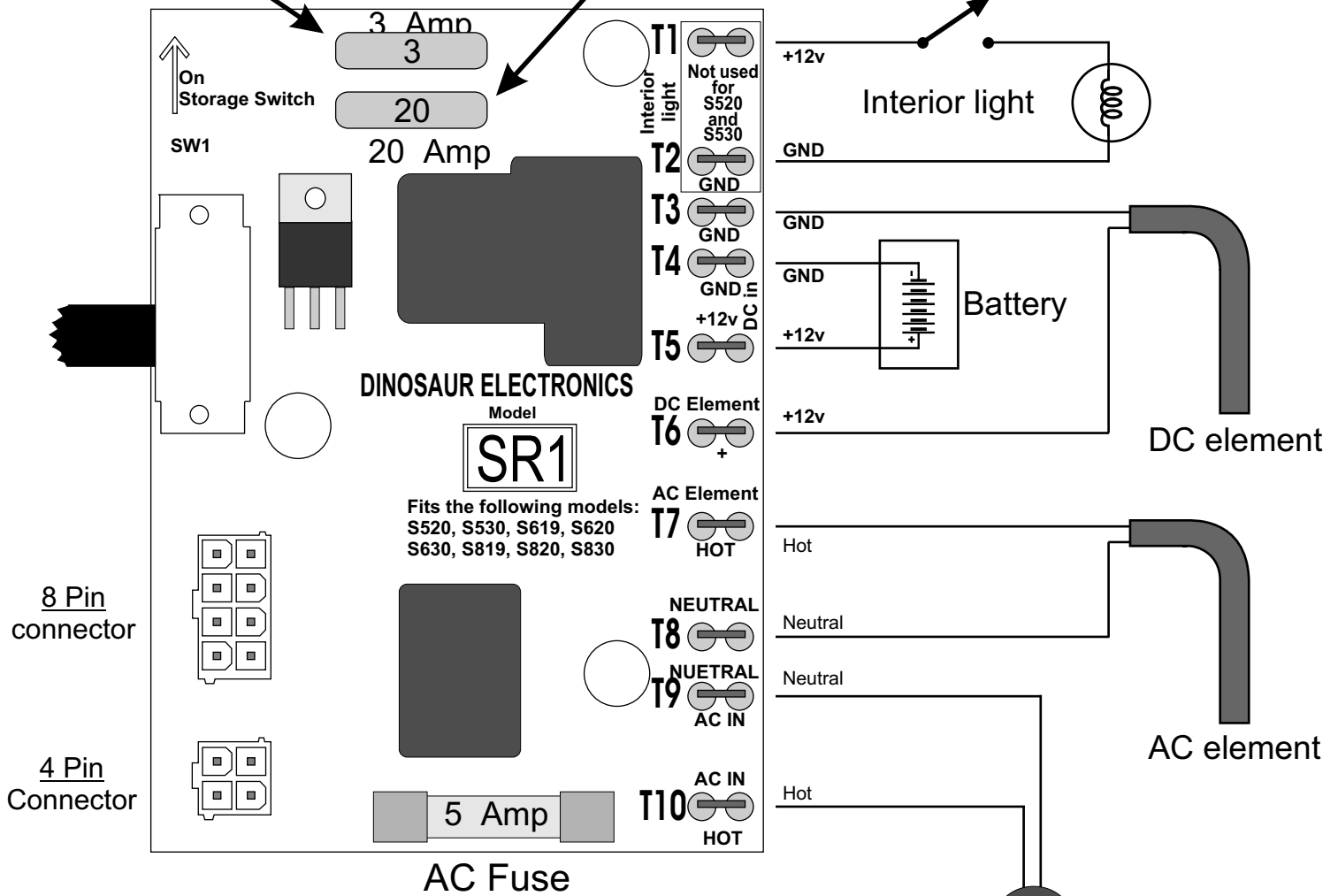
Some modification of the original cover may be necessary to accommodate the storage switch on the new board. After you have removed the cover from the old circuit board, you will need to cut a notch in it using the template provided below.



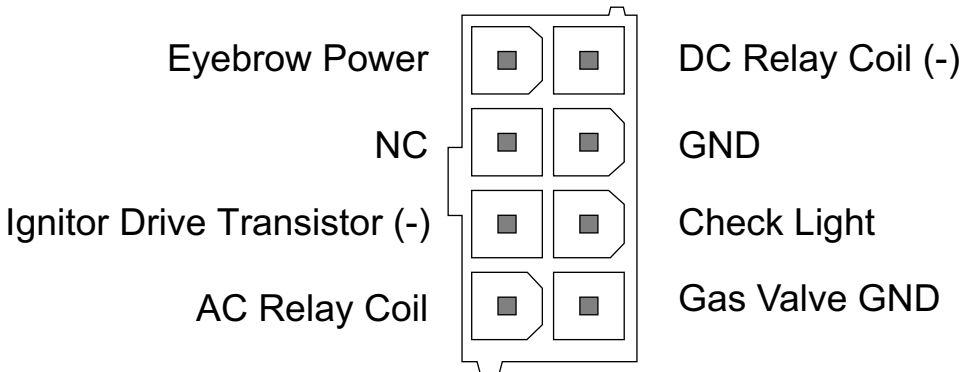
SR1 Pinouts

Main Fuse for all operations

DC operation Fuse (3-way DC operation only)



8 Pin Eyebrow Connector Pinout



4 Pin Ignitor Module Connector Pinout

